

## Integrating CANSAS into CAN networks

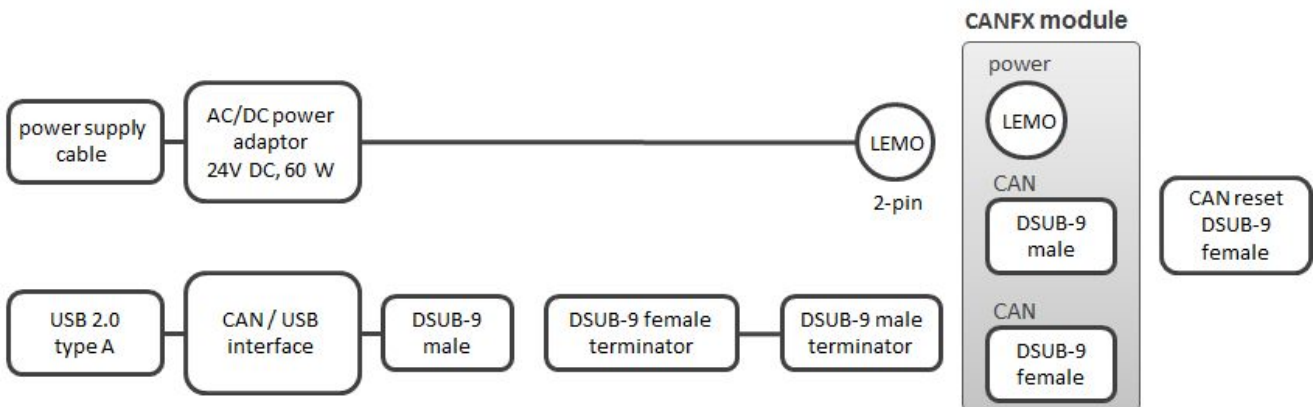
### Configuration and accessories for use with a CAN networks

CANSAS modules come with configuration options which make them flexible enough to use in any CAN network application. Along with settings for the sampling rate, measurement type (e.g. voltage, Pt100, thermocouples) and of the module input ranges, it is also possible to freely configure online processing, scaling and comparison operations. In addition, it's possible to configure the CAN-bus' message mapping, which includes the ability to freely select the messages' identifiers.

Once configured, the modules start automatically upon receiving a supply voltage and either send or receive CAN-Bus messages according to the configuration, which can also be exported by means of the configuration software. The configuration can be made either by the user by means of the configuration software, or at factory upon purchase; inquire with our hotline about our configuration service. For the configuration of the modules, free CANSAS software is offered for download on the [imc website](#).

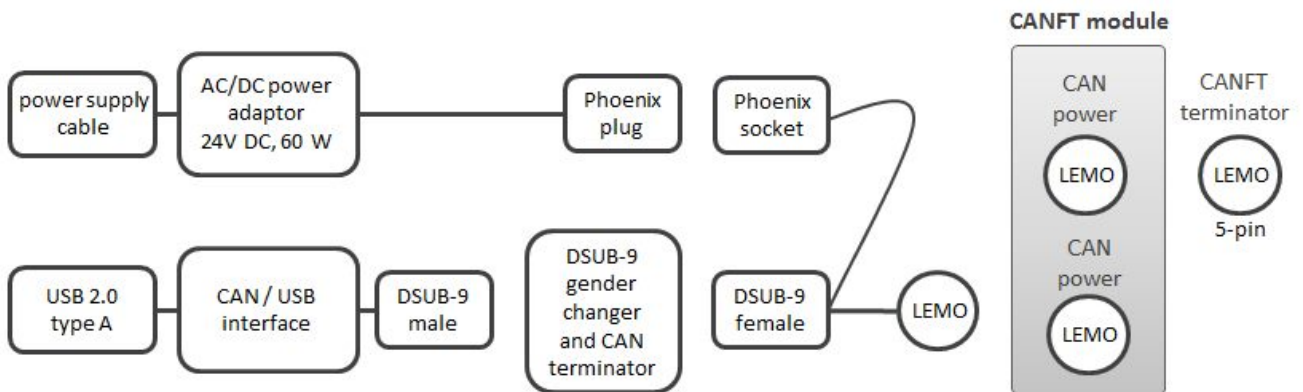
### Available imc CANSAS configuration packages

Configuration package for modules of imc CANSAS <i>flex</i> series		
Order code	package includes:	article number
CANFX/USB-P	CAN / USB interface (DSUB-9 - USB 2.0 type A) AC/DC power adaptor 110-230V AC (with LEMO.0B plug), 24 V DC, 60 W CAN cable, DSUB-9 (F, terminated) - DSUB-9 (M, terminated) CAN reset plug (DSUB-9) getting started with imc CANSAS	12500043

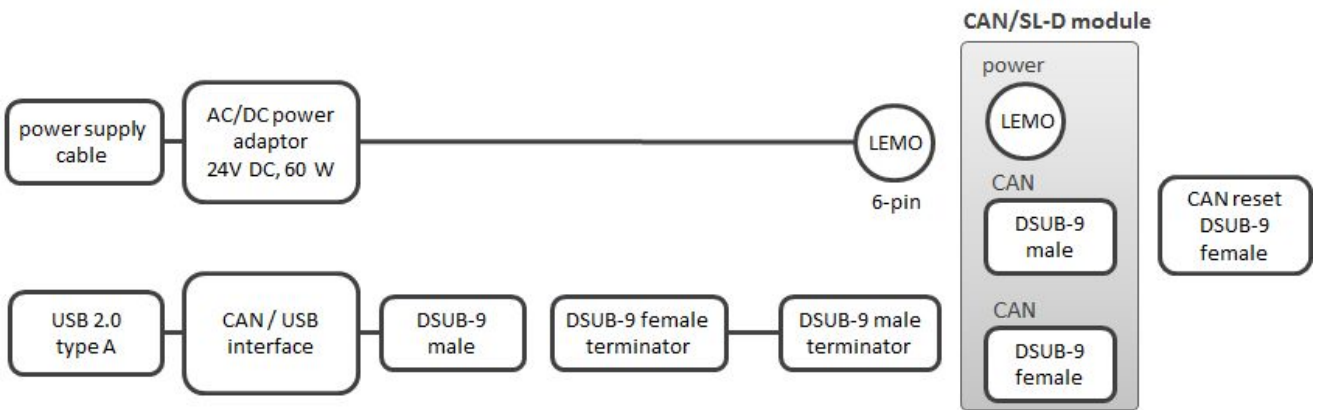


imc CANSAS *flex* capability: built-in terminator resistance, manually switchable

Configuration package for modules of imc CANSAS//series as well as for $\mu$ -CANSAS-L with LEMO		
Order code	package includes:	article number
CANFT/USB-P	CAN / USB interface (DSUB-9 - USB 2.0 type A) AC/DC power adaptor 110-230V AC (with Phönix plug), 24 V DC, 60 W CAN cable, DSUB-9 (F) - Phönix/LEMO.0B.305 CAN terminator (LEMO.0B, IP54) gender changer (DSUB-9) with integrated CAN terminator getting started with imc CANSAS	12100018



Configuration package for modules of imc CANSAS-SL (DSUB) series		
Order code	package includes:	article number
CAN/SL-D-USB-P	CAN / USB interface (DSUB-9 - USB 2.0 type A) AC/DC power adaptor 110-230V AC (with LEMO.1B plug), 24 V DC, 60 W CAN cable, DSUB-9 (F, terminated) - DSUB-9 (M, terminated) CAN reset plug (DSUB-9) getting started with imc CANSAS	11500030



Configuration package for modules of imc CANSAS-SL (LEMO) series		
Order code	package includes:	article number
CAN/SL-L-USB-P	CAN / USB interface (USB 2.0 type A) AC/DC power adaptor 110-230V AC (with LEMO.1B plug), 24 V DC, 60 W CAN cable, DSUB-9 (F, terminated) - LEMO (10-pin) CAN reset plug (LEMO) CAN terminator (LEMO) getting started with imc CANSAS	11500037

